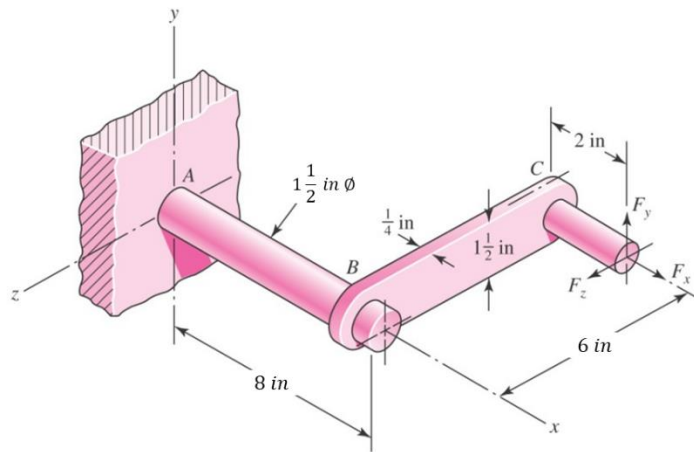


- 1.) For the door handle shown loaded with $F_x = 250 \text{ lbf}$, $F_y = 150 \text{ lbf}$ and $F_z = 0$, find the normal stress and label a stress element for:
- point A
 - a point on the bottom of the bracket directly below point A



- 2.) Find the location and magnitude of the maximum bending stress for:
- The beam on the left
 - The beam on the right

